



- Professional Pipe Freeze Kits for 1/2" to 4.0" applications.
- Complete with all components organized in a lightweight durable plastic carrying case.
- Simple & Easy to understand illustrated guide.
- 24/7 telephone technical support.
- Uses Liquid Nitrogen...fast, efficient & reliable.
- Cost Effective...no system drain downs and refills...eliminates waste of chemically treated HVAC or domestic fluids.

AVFC-101 PIPE FREEZE KITS COME COMPLETE WITH ALL THE NECESSARY CRYO-GENIC COMPONENTS ORGANIZED INTO AN EASY TO CARRY EQUIPMENT CASE.

- ◆ Patented design feature utilizes four changeable insert sets allowing for pipe freeze plugs on all nominal pipe size ranges of 1/2" / 12mm thru 2.0" / 60mm.
- ◆ Achieves single horizontal & vertical freeze seals on most of all types of piping materials such as steel, iron, copper, brass and various types of PVC.
- ◆ Chamber & Insert Sets are manufactured from cryogenic grade aluminum utilizing a CNC Machining Process resulting in both a very durable and precise cryogenic component.
- ◆ Both Chamber halves are secured easily on the pipe by two single point, user friendly Cryo-Clamp Fasteners making for simple installations, even in tight fit applications.
- ◆ The Liquid Nitrogen Feed Hose is manufactured from cryogenic materials using a 1/2" flexible SS hose core, welded NPT ends, insulated and finished with a protective cover.
- ◆ All chamber fittings and kit hardware are brass. Each of the three hose to chamber fittings are self sealing swivel connectors requiring no special thread sealing materials.
- ◆ **CRYO-LATOR™** Chambers are sealed on the pipe by a patented material called CryoFoam™. Our exclusive easy to use CryoFoam™ Seal Tape and Gasket material has been developed from years of field experience. CryoFoam™ replaces obsolete cryogenic sealing materials once used in cryogenic pipe freezing applications such as inadequate Rope, Velcro or the ever messy Plumber's Putty. CryoFoam™ is extremely cryogenic compatible and produces dependable cryogenic seals during the entire pipe freeze procedure.
- ◆ **CRYO-LATOR™** Pipe Freeze Kit comes with an easy to understand illustrated installation manual as well as one year of free unlimited technical support via a toll free telephone number where you can talk directly with an experienced Professional Pipe Freeze Tech which will advise you on your individual project. Toll free technical support phone number is for USA customers only.

Please see our other quality pipe freeze products at www.cryo-lator.com one very cool company !



AVFC-101 CRYO-LATOR™ PIPE FREEZE KITS INCLUDE

- (1) ACL-AVFC-101-CH = CRYO-LATOR Chamber Housing
- (4) ACL-AVFC-101-IN = CRYO-LATOR Chamber Insert Sets A thru D
- (1) ACL-1001 = LN2 Bottle to Hose Adapter 1/2" with Shut Off Valve
- (1) ACL-1012.500 = LN2 Insulated Feed Hose 1/2" NPT x 10' Flexible SS Core with Welded 1/2" NPT Ends and Finished Protective Cover.
- (9) ACL-101-500x5.0 = CryoFoam® AVFC-101 Chamber Gaskets
- (1) CL-125-1.25 = CryoFoam® Seal Tape: 1/8" x 1.25" x 25' Roll
- (1) CL-2572 = CRYO-CLAMP® Double Quick Connect Fastener
- (2) CL-C-1017-04 = VFC-Tee Bolts for #2572 CRYO-CLAMP®
- (2) CL-1136454 = Nuts - 5/16-24 for VFC-Tee Bolts
- (3) CL-4429K414 = Brass Bushing - 3/4" NPT Male x 1/2" NPT Female
- (1) CL-50785K24 = Brass Plug - 1/2" NPT Male with Hex Head
- (1) CL-4568K177 = Brass Nipple - 1/2" NPT x 4" Vent Stack
- (2) CL-5340K99 = Swivel Connector - 1/2" NPT Male x 1/2" Female 90°
- (1) CL-5340K48 = Swivel Connector - 1/2" Male x 1/2" Female Straight
- (1) CL-RC-100192 = AVFC-101 Kit Equipment Case with Foam Insert
- (1) CL-CD--101 = AVFC-101 Installation & Operational Guide CD-ROM

24 / 7 / 365 Technical Support Toll Free Phone Number

IMPORTANT OPTIONS NOTE: When performing critical pipe freeze projects our Pipe Freeze Engineers highly recommend both the use of Cryogenic PPE Safety Apparel to prevent possible burns caused by liquid nitrogen splash hazards and an accurate means of Temperature Thermocouple Monitoring to ensure the safe integrity of the pressurized freeze seal plug.

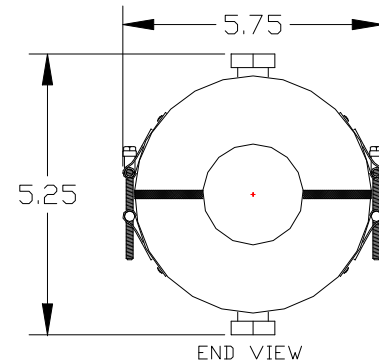
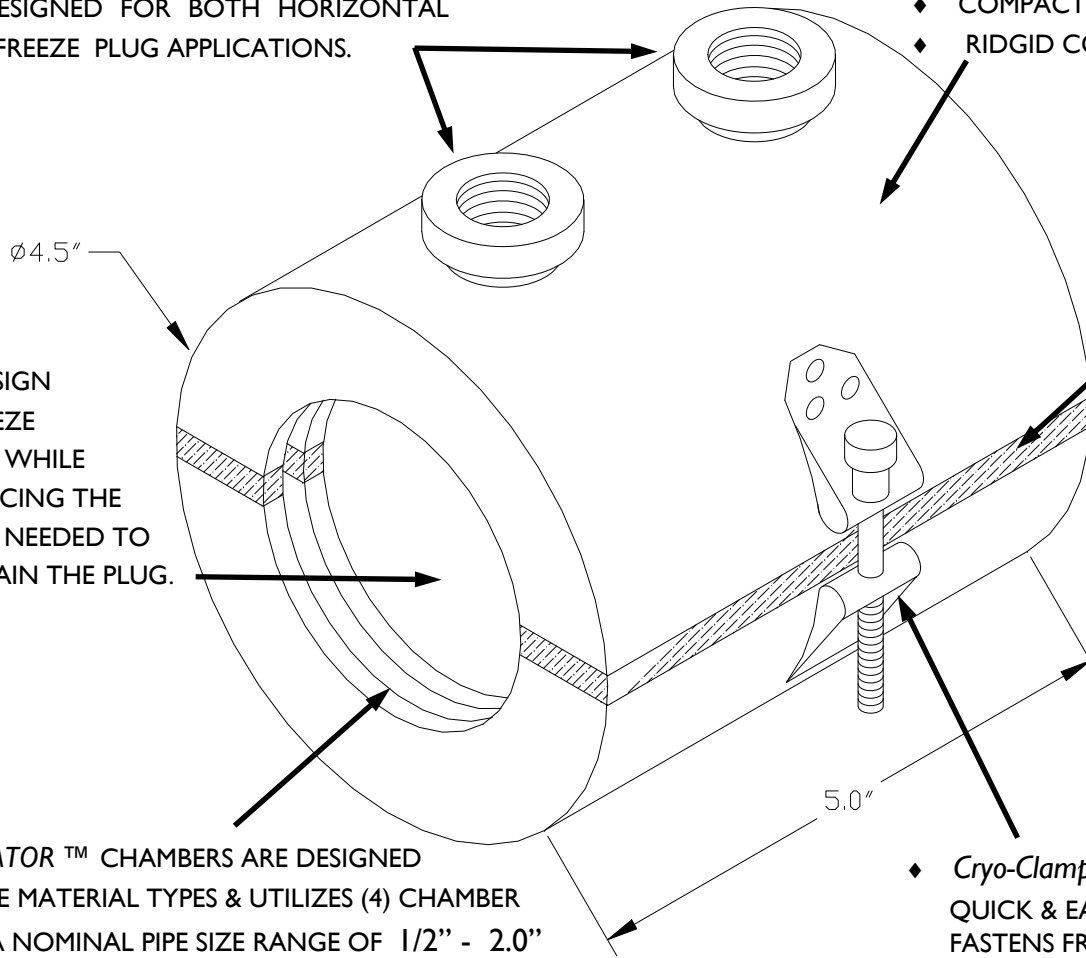
With the purchase of each CRYO-LATOR™ Pipe Freeze Kit we offer a discounted savings of \$25.00 to \$100.00 on three important upgrade safety component options. The three upgrade options include: (Opt #1) Cryogenic PPE Apparel Kit. (Opt #2) CRYO-LATOR™ Temp Monitoring Kit C. (Opt #3) Combination of both the Cryogenic PPE Apparel Kit & CRYO-LATOR™ Temp Monitoring Kit C.

When ordering via website shopping cart please click the item "options drop down box" to specify the discounted equipment options. When ordering via telephone please specify the discounted equipment options to the order representative.

Please see our other quality pipe freeze products at www.cryo-lator.com one very cool company !

AVFC-101 Chamber Features & Fit Dimensions

- ◆ (3) 1/2" NPT INLET / VENT PORTS
- ◆ BRASS BUSHINGS PROTECT PORT THREADS
- ◆ CHAMBER IS DESIGNED FOR BOTH HORIZONTAL AND VERTICAL FREEZE PLUG APPLICATIONS.
- ◆ SOLID BILLET LIGHTWEIGHT ALUMINUM CONSTRUCTION
- ◆ CNC MACHINED WITH PRECISION TOLERANCES...NO WELDS
- ◆ COMPACT DESIGN FOR TIGHT FIT FREEZE APPLICATIONS
- ◆ RIDGID CONSTRUCTION ADDS LONG LIFE & STRENGTH
- ◆ CRYO-LATOR™ DESIGN ACCELERATES FREEZE SEAL FORMATIONS WHILE EFFICIENTLY REDUCING THE LIQUID NITROGEN NEEDED TO FORM AND MAINTAIN THE PLUG.
- ◆ CRYO-FOAM™ CHAMBER GASKETS AND PIPE SEAL TAPE ARE EASY TO INSTALL & SIMPLE TO APPLY.
- ◆ CRYO-FOAM™ CHAMBER GASKETS AND PIPE SEAL TAPE ACHIEVE A POSITIVE LIQUID NITROGEN SEAL.
- ◆ AVFC-101 CRYO-LATOR™ CHAMBERS ARE DESIGNED FOR MOST ALL PIPE MATERIAL TYPES & UTILIZES (4) CHAMBER INSERT SETS FOR A NOMINAL PIPE SIZE RANGE OF 1/2" - 2.0" ALSO INCLUDES 2-1/2" COPPER L PIPE APPLICATIONS
- ◆ CRYO-CLAMP™ CHAMBER FASTENERS QUICK & EASY TO USE - IDEA FOR TIGHT FIT APPLICATIONS FASTENS FROM SINGLE POINT - EASY FOR ONE MAN SET UP



Please see our other quality pipe freeze products at www.cryo-lator.com one very cool company !